

ORBİK



Arc

Product Data Sheet



www.orbik.co.uk



Mains Luminaire

Emergency Luminaire

LED Luminaire

Robust IP65 bulkhead for exterior or interior use

Completely manufactured in the UK, **Arc** was the first luminaire on the market on the market to feature a soft arc linear lens diffuser designed to provide maximum spacings between emergency luminaires. Even today, very few products are able to meet **Arc**'s optical performance. The lens also makes **Arc** an excellent mains lighting option with T5 or compact fluorescent lamps.

Arc offers many other features with its compact polycarbonate enclosure. These include a screw fixing diffuser located with brass threaded inserts, centre rear besa entry and 20mm conduit knockouts at each end plus a hinged steel gear tray for ease of installation, making this product one the most flexible and best performing luminaires on the market.

The **Arc** can be fitted with a self-adhesive legend kit to create an exit sign or with a semi-recess trim, suitable for use with suspended or plaster board ceilings.



Catalogue Numbers

Mains Luminaires

Cat No	Lamp & Mode	Mains Lumens	Weight
AR8	8 Watt mains bulkhead	400	0.90Kg
AR2X8	2 x 8 Watt mains bulkhead	800	0.90Kg
AR11	11 Watt TC-S mains bulkhead	900	0.90Kg
AR/LED	15 x LED mains bulkhead	360	0.90Kg

Emergency Luminaires

Cat No	Lamp & Mode	Emergency Lumens	Weight
AR8/NM3/E	8 Watt NM3 bulkhead economy output	80	1.20Kg
AR8/NM3	8 Watt NM3 bulkhead standard output	120	1.20Kg
AR8/NM3/H	8 Watt NM3 bulkhead high output	180	1.20Kg
AR8/M3/E	8 Watt M3 bulkhead economy output	80	1.45Kg
AR8/M3	8 Watt M3 bulkhead standard output	120	1.45Kg
AR8/M3/H	8 Watt M3 bulkhead high output	180	1.45Kg
AR2X8/NM3	2 x 8 Watt NM3 bulkhead standard output	150	1.70Kg
AR2X8/NM3/H	2 x 8 Watt NM3 bulkhead high output	250	1.70Kg
AR/LED/M3	5 x LED M3 bulkhead	125	1.20Kg
AR/LED/C3	15 x mains LED/5 x M3 LED bulkhead	125	1.20Kg

Slave Exit Signs

Cat No	Lamp & Mode	Emergency Lumens	Weight
AR8/#D	8 Watt slave bulkhead	275	0.85Kg
AR/LED/#D	LED slave bulkhead	120	1.20Kg

Replace # with AC/DC system Voltage **24, 50, 110** or **230** Volts, for LED versions replace # with AC/DC system Voltage **110** or **230** Volts

Options

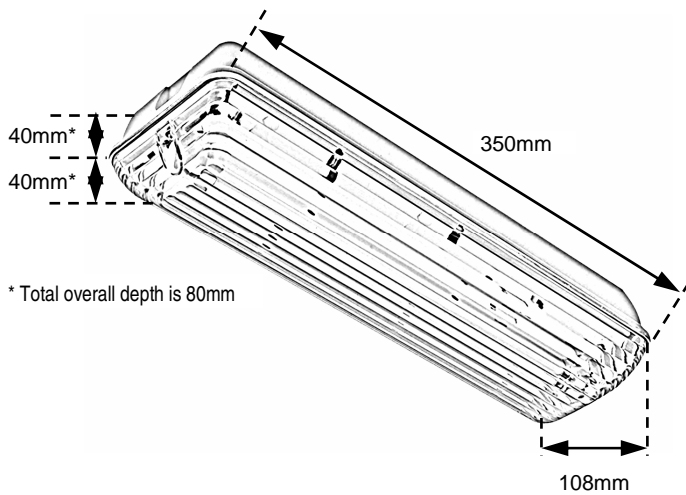
Suffix:

/AR/WH	White semi-recessing kit
/AD	Intelligent addressable luminaire
/DALI	DALI emergency control gear
/HF	High frequency ballast
/O	Opal diffuser
/PH	Dusk/dawn photo cell
/SAL1	Self-adhesive legend kit
/ST	Digital self-test luminaire
/TS	Push to test switch
/VR	Anti-tamper screws

Specification

Body:	ABS polycarbonate
Charger:	Constant current with green LED for mains healthy and connected battery
Batteries:	1.5Ah (economy versions only) or 4Ah Nickel Cadmium cells
Lamps:	8 Watt T5 fluorescent or 11 Watt TC-S compact fluorescent
LED's:	Mains versions 15 x 0.2W high lumen/Watt LED, emergency versions 5 x 0.2W high lumen/Watt LED (125 lumens per Watt)

Dimensions



Cut-Out Dimensions: Length 330mm x Width 90mm
Viewing Distance: 18 Metres (when supplied with SAL1 legend kit)

Technical Information

Luminaire data files are available for inclusion into lighting design software packages. Photometric data is available at www.relux.biz and further lighting design information is available from our catalogue or www.orbik.co.uk.

Installation Instructions

- Connect the mains cable(s), which should be a maximum of 1mm² solid core.
- The supply for a non-maintained emergency circuit must be unswitched and is connected to the unswitched input.
- The supply to a non-emergency circuit can be switched and is connected to the switched input.
- If a single unswitched supply is used for both emergency and normal use a link should be connected between the unswitched supply and switched supply terminals.
- Mark the battery pack with date of installation and connect the battery to the module.
- For testing purposes a fused spur or keyswitch should be included in the unswitched supply.